



**Jockey Licence New Application
2016/17 Racing Season
(1 Aug 2016 to 31 Jul 2017)**

OFFICE USE ONLY		
Received date:	Reviewed by:	Processed date:

Incomplete forms will be returned to the applicant via post. Once licensed, Identification Cards will not be issued over the counter at Racing Australia Head Office.

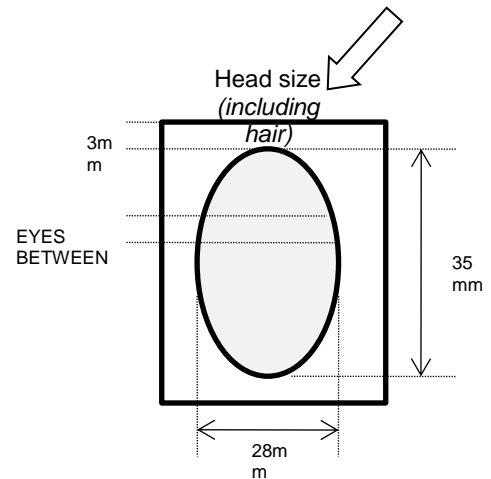
1 Check your personal details:

Title:	First Name:	Surname:
Residential Address:		
Suburb:	State:	Post Code:
Mobile:	Phone:	
Email (Mandatory):	DOB:	Minimum Weight (kg):
Next of Kin 1:	Relationship:	Phone:
Next of Kin 2:	Relationship:	Phone:
Next of Kin 3:	Relationship:	Phone:
<p>What category of Jockey Licence are you renewing? (Please Circle):</p> <p>APPRENTICE JOCKEY (\$0) / JOCKEY (\$80.00) /</p> <p>JUMPS JOCKEY 'A' (\$80.00) / JUMPS JOCKEY 'B' (\$80.00) / PICNIC JOCKEY / (\$80.00)</p> <p><u>Pro-rata payment from 1st August 2016 to 31st October 2016</u></p>		

2**Passport Photo:**

Should you be successful with your application for the grant of a jockey licence, you will receive an annual identification card which will permit entry to all Victorian race meetings. Consequently, we require a colour Passport Photo of yourself for identification purposes. Please attach a Photo here:

Alternatively, please tick here if you have emailed a colour Passport Photo to: licensing@racingaustralia.horse

**3****Identification:**

For identification purposes, we also require a type of identification as outlined below. Please mark a *tick* beside the type of identification which has been submitted with this application:

Drivers Licence or,

Passport or,

Birth Certificate

4**Mandatory Qualification:**

Prior to considering an application for the grant of a jockey's licence, you are required to outline any qualification you have achieved below (tick):

Have you completed an Apprenticeship with a Principal Racing Authority?

Certificate IV of Racing, Thoroughbred Jockey
(This qualification is typically achieved when completing an Apprenticeship with a Principal Racing Authority)

Race Riding Criteria

Stablehand Units
(1) Follow OH&S Procedures & Observe Environmental Work Practices; and (2) Handle Horses

Rider Development Screening Day

Jumps Accreditation Program

5 Additional Requirements Declaration:

By selecting 'Yes' to the below statements, I understand/declare that prior to my renewal being complete, I must action each of the following requirements:

I must submit a satisfactory Medical Assessment	Yes, I acknowledge <input type="checkbox"/> No <input type="checkbox"/> (Tick here)
I must submit a Jockey Declaration Regarding Betting	Yes, I acknowledge <input type="checkbox"/> No <input type="checkbox"/> (Tick here)
I must contact Racing Victoria's Apprentice Jockey Training Department (03 9258 4258) to arrange a date/time to complete a Cognitive (Brain Function) Test	Yes, I acknowledge <input type="checkbox"/> No <input type="checkbox"/> (Tick here)

6 Rules of Racing Declaration:

Rules of Racing: I acknowledge that I am bound by the Rules of Racing of Racing Victoria and of any other Principal Racing Authority in which I perform jockey-related duties (Rules), and I agree to familiarise myself with these Rules, including the Rules relating to jockeys and amendments made to these Rules from time to time.	Yes, I acknowledge <input type="checkbox"/> No <input type="checkbox"/> (Tick here)
National Police Record Certificate: In circumstances where Racing Victoria's Licensing Regulation Unit sees fit, I consent to obtaining a National Police Record Certificate and providing it to Racing Victoria (if contacted by Racing Victoria or an appointed CrimTrac accredited agency).	Yes, I acknowledge <input type="checkbox"/> No <input type="checkbox"/> (Tick here)
Criminal Charges: After submitting this Application, I acknowledge that I must inform Racing Victoria's Intelligence Compliance of any criminal charges laid against me within seven days of any charges being laid. Updates must be sent by email to icu@racingvictoria.net.au .	Yes, I acknowledge <input type="checkbox"/> No <input type="checkbox"/> (Tick here)

7 Race Analysis:

<p>Do you engage, or seek advice from, an analyst or professional to assist you with analysing specific races or matters concerning race-day?</p> <p>Areas of analysis may include, but not limited to, horse form, speed mapping, rail placements or track ratings.</p> <p>* An analyst or professional is defined as an expert, skilled or knowledgeable person in the field of horse racing.</p>	<p>Yes <input type="checkbox"/> No <input type="checkbox"/></p> <p>If Yes, please provide the full name of each analyst or professional utilised and the role performed by each analyst or professional:</p> <p>.....</p> <p>.....</p>
<p>Does your nominated rider agent, or any other person, engage, or seek advice from an analyst or professional on your behalf to assist you with analysing specific races or matters concerning race-day?</p> <p>Areas of analysis may include, but not limited to, horse form, speed mapping, rail placements or track ratings.</p> <p>* An analyst or professional is defined as an expert, skilled or knowledgeable person in the field of horse racing.</p>	<p>Yes <input type="checkbox"/> No <input type="checkbox"/></p> <p>If Yes, please provide the full name of each analyst or professional utilised and the role performed by each analyst or professional:</p> <p>.....</p> <p>.....</p>

1. Rules of Racing:

- 1.1 I acknowledge that I have read and understood the Rules of Racing of Racing Victoria and of any other Principal Racing Authority in which I ride, and I agree to familiarise and be bound by any amendments to the Rules.
- 1.2 I agree to be subject to, and bound by:
- the Rules of Racing of each Principal Racing Authority in which State or Territory I ride, including those Rules as amended or varied by each Principal Racing Authority from time to time; and
 - such rules and directions as may from time to time be formed, made or given by the directors for each Principal Racing Authority ("Directors"), the stewards or the Principal Racing Authority ("Stewards") or the officials of any racing club registered by the Principal Racing Authority to conduct thoroughbred racing under the Rules ("Club").
- 1.3 Without limiting any other declaration or acknowledgement made in this application, I declare that:
- I understand that as a licensed Jockey, I am not allowed to bet on thoroughbred racing in Australia or overseas.
 - I have read and understood the Rules of Racing regarding betting restrictions and offences for jockeys, including AR 83(c) and (d) which provide as follows:
Extract of Australian Rule of Racing 83(c) and (d):
MISCONDUCT AR 83: Every jockey or apprentice may be penalised:
 - If he bet, or facilitates the making of, or has any interest in a bet on any race or contingency relating to thoroughbred racing, or if he be present in the betting ring during any race meeting; or
 - If he bet, or has any interest in a bet on any race, or contingency relating to thoroughbred racing involving a race in which he is riding. For the purposes of this rule, bet includes a lay bet (as defined in AR 175B(7)).
 - I have read AR 196(5) and understand that any jockey who is found guilty of a breach of AR 83(d) is liable to a period of disqualification of not less than two years (unless special circumstances are found to exist).
 - I understand that, as a condition or requirement of the grant of my jockey licence renewal, I will be required to sign a "Jockey Declaration Regarding Betting" prior to me being relicensed. Further, I understand that in the Jockey Declaration Regarding Betting, I will be required to declare that I have not had a bet, facilitated a bet, or had an interest in any bet on any thoroughbred race or contingency related to thoroughbred racing in Australia or overseas from the period of 1 May each year (or such other period as advised to me by Racing Victoria in its discretion).
 - I have read and understood the Rules of Racing regarding the restrictions on jockey involvement in the buying, selling, trading or leasing of thoroughbred bloodstock, including AR 85C.

2. Police Record Check: I agree that it is a condition of this licence or approval being granted, that I consent to a police record check if requested, and I provide that consent.

3. Promotion of thoroughbred racing: In applying for this licence or approval being granted, I:-

- 3.1 **Appearances:** agree to make myself available on reasonable notice and at no cost or charge at any time during the Licence Year for appearances, photography, video or filming sessions up to three occasions in the Licence Year for attendances at all such occasions not exceeding eight (8) hours in total (unless otherwise agreed) for the promotion of thoroughbred racing. Where I have a reasonable excuse for my inability to participate in any such occasion, I must make myself available at the next, earliest opportunity suitable to Racing Victoria and I.
- 3.2 **Likeness and identity:** authorise Racing Victoria to use, distribute, display and reproduce my name, signature, photograph, likeness, reputation and identity in any group of two (2) or more persons on any medium and without cost or charge to Racing Victoria for the promotion and advertising of thoroughbred horse racing. If my name, signature, photograph, likeness, reputation and identity are proposed to be used prominently and individually, then my consent must first be obtained, and I will not unreasonably withhold such consent.
- 3.3 **Restrictions on use of image:** agree not to allow, authorise or license any person, corporation or entity to use, distribute, display and reproduce my name photograph, likeness, reputation and identity for commercial purposes (including but not limited to licensing, endorsements, advertising, promotions, merchandising, memorabilia, events and marketing) where such utilisation would be prejudicial to the interests or image of thoroughbred racing or which may bring the thoroughbred racing industry into disrepute.

4. Privacy Statement and Health Records

I acknowledge that I have read and understood the following statement from Racing Victoria regarding privacy and health records:

Racing Victoria is the body responsible for and carries out the functions of: determining and issuing occupational licences authorising persons to participate in the Victorian thoroughbred racing industry ("Licensed Persons"); supervising Licensed Persons; administering and promoting racing; and such other functions as may be described in its privacy policy published on its website from time to time ("Privacy Policy"). In the course of performing its functions, Racing Victoria may seek personal information from you for the purposes of:

- o making determinations in relation to your license application, renewal or continuance;
- o meeting supervisory responsibilities in relation to you as a Licensed Person;
- o promoting or protecting the integrity of the thoroughbred racing code and ensuring compliance with the Rules of Racing;
- o administering and promoting racing operations (including your participation in races and the industry); and
- o any other function or activity described in the Privacy Policy.

For these purposes, Racing Victoria may also obtain personal information about you from, or disclose your personal information to third parties, such as enforcement bodies, government authorities, other racing control bodies in the States and Territories of Australia and overseas, wagering service providers such as bookmakers, totalisators, and betting exchanges, educational or training institutions and to other persons for any of the purposes described above or as otherwise provided by law.

Unless otherwise advised by you, your image, name and contact details may be published monthly in the Inside Racing Magazine and also disclosed to and published by Racing Victoria and its associates (including clubs and Racing Information Services Australia Pty Ltd) to facilitate your participation in racing and the promotion of racing.

You may make a request to Racing Victoria to gain access to information held by Racing Victoria in relation to you by writing to the Privacy Officer, Racing Victoria, 400 Epsom Road, Flemington, 3031.

Should you decline to provide personal information to Racing Victoria when requested by Racing Victoria as part of its licensing and supervisory activities, Racing Victoria may refuse to grant or renew such a licence or may revoke or suspend your licence.

Health Records

In the course of performing its functions, Racing Victoria's Human Resources and Workforce Development Department will seek (from Victorian-based riders) an Annual Medical Report, Computer Cognitive Assessment Tool (CCAT) results and health information from you for the purposes of ensuring that persons granted a licence or permit to ride as a jockey, amateur, approved rider or apprentice jockey are physically fit and are able to withstand the rigours associated with riding in races.

Racing Victoria will only disclose your Annual Medical Report, as follows:

- o in full, to the Racing Victoria Chief Medical Officer;
- o sections 1, 2 and 7 to Racing Victoria's Licensing Manager and the Licensing Panel; or
- o sections 1, 2 and 7 to another Principal Racing Authority outside of Victoria, the Racing Victoria Chairman of Stewards and/or a medical practitioner nominated by Racing Victoria and other racing control bodies in the States and Territories of Australia and overseas.

Racing Victoria may provide your CCAT results to the Chief Medical Officer of a Principal Racing Authority outside of Victoria. The Racing Victoria Chief Medical Officer may provide the Annual Medical Report, CCAT results and/or health information to the Chief Medical Officer of a Principal Racing Authority outside of Victoria. Your Annual Medical Report Form, CCAT results and health information will be treated confidentially at all times and will not be disclosed to any third parties not listed above without your prior consent.

For Jockeys based outside Victoria that intend to ride in Victoria, Racing Victoria may request that health information be provided to evidence that Jockeys' fitness to ride. Racing Victoria may also seek from jockeys based outside of Victoria, further health and medical information for the purpose of performing Racing Victoria's licensing function in respect to that jockey. All health information collected will be handled in accordance with the Privacy Policy.

You may make a request at any time to Racing Victoria to gain access to your Annual Medical Report, CCAT results and health information by writing to the Racing Victoria Licensing Manager or the Human Resources and Workforce Development Department, Racing Victoria, 400 Epsom Road, Flemington, 3031.

- 4.1 In the event I am injured and it is impracticable to seek my consent at the time, for my own benefit, I give permission for the Chairman of Stewards or his delegate, Club paramedic or doctor to retrieve and review my Medical Record Book or other relevant medical information.

I consent to Racing Victoria obtaining personal information about me from others, and using and disclosing my personal information as set out in the paragraph 4.1 above.

Important Note: Applicants must complete and sign this section. The application will not be considered if not satisfactorily completed and signed by the Applicant. In making my application for the grant or renewal of an occupational licence to ride (jockey licence), and by signing below, I:

- o acknowledge that I have read and understood this application in full;
- o declare that all particulars in my application are true and correct;
- o agree to be bound by the declarations and acknowledgements set out in this application.

Application for a Visitor or Interstate Jockey's Licence (where applicable):

I understand that should I seek to ride in another State or Territory, this application and all supporting documentation may be forwarded to the relevant Principal Racing Authority as my application to ride in that State or Territory. I understand that the grant of a licence, permit or approval to ride by another Principal Racing Authority is a discretionary decision to be made by that Principal Racing Authority. The interstate Principal Racing Authority is not compelled to grant me a licence and will make a decision as it applies in their State or Territory.

Sign Here:

Today's Date:

Sign Here